



Global 90 CF, Global 70XT CF 'Concise installation Guide'



Instructions for installation



Please retain this document carefully



Contents

What do you need for installation?	3
Steps to take:	3
Disclaimer:	3
Main parts	4
The six installation possibilities	5
Gas technical installation	8

What do you need for installation?

No.	Installation possibilities	Engine	Twigs or pebbles	Frame Alpha or Beta*	Built-in plaster trim**
I	Existing chimney, liner less	With frame	X	X	
II		Frameless	X	X	X
III	Existing chimney, flue liner	With frame	X	X	X
IV		Frameless	X	X	X
V	New chimney breast, flue pipe Ø100	With frame	X	X	X
VI		Frameless	X	X	X

* Or other finishing trim or i.e. marble slabs

** The 'plaster trim' is always necessary in case of 'frameless' installation.

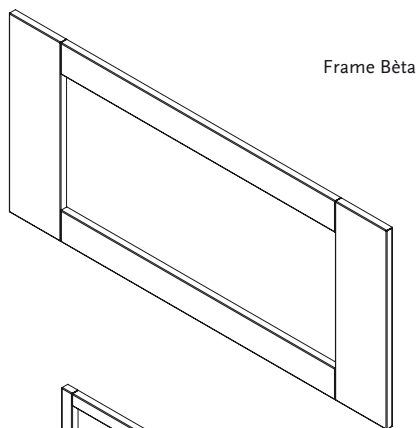
Steps to take:

1. Choose the installation that is applicable for this job
2. Check all necessary parts to be present
3. Follow the steps indicated in this Concise Installation Guide.
These give a general impression of the installation of the fire. For more detail please refer to the Installation Manual.

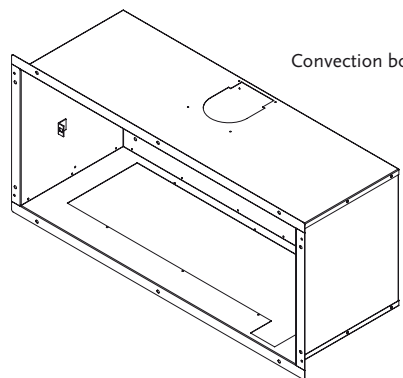
Disclaimer:

- This guide does not replace the Installation Manual and should be read in conjunction with the installation manual
- The Installation Manual gives additional safety warnings and tips.
- DRU or its agent/importer does not accept any responsibility for installation errors

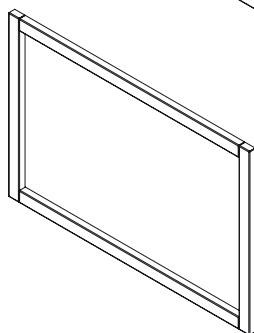
Main parts



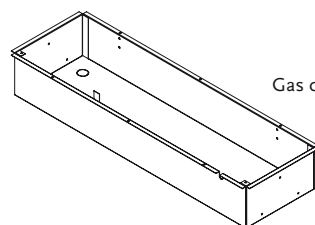
Frame Bèta



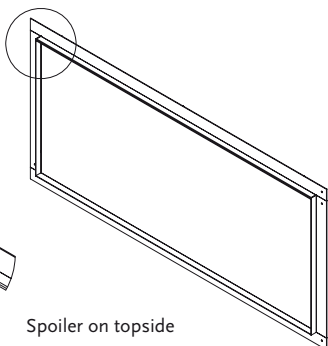
Convection box



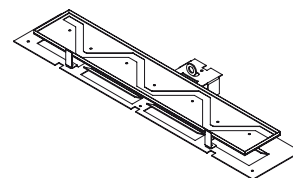
Frame Alpha



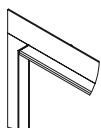
Gas control box



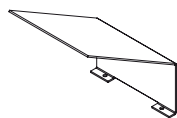
Built-in plaster trim



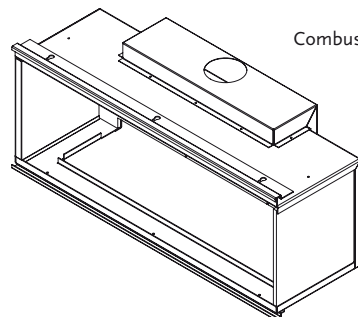
Burner



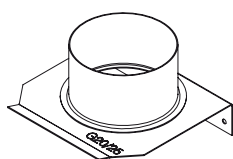
Spoiler on topside



Debris shield



Combustion chamber

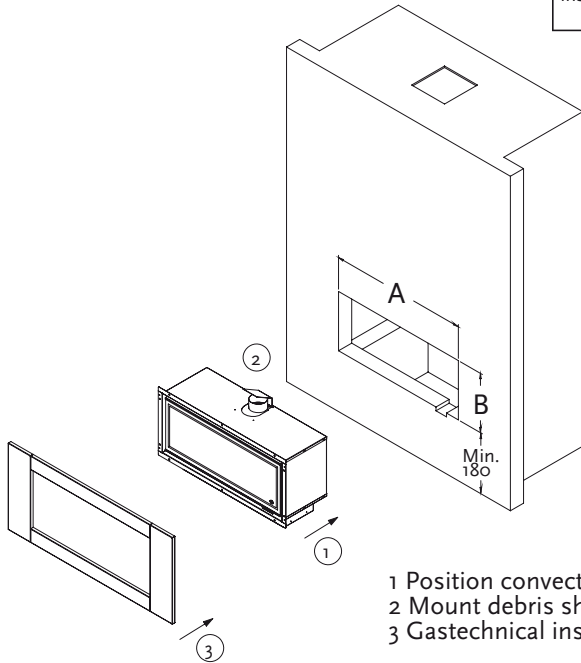


Flue spigot

The six installation possibilities

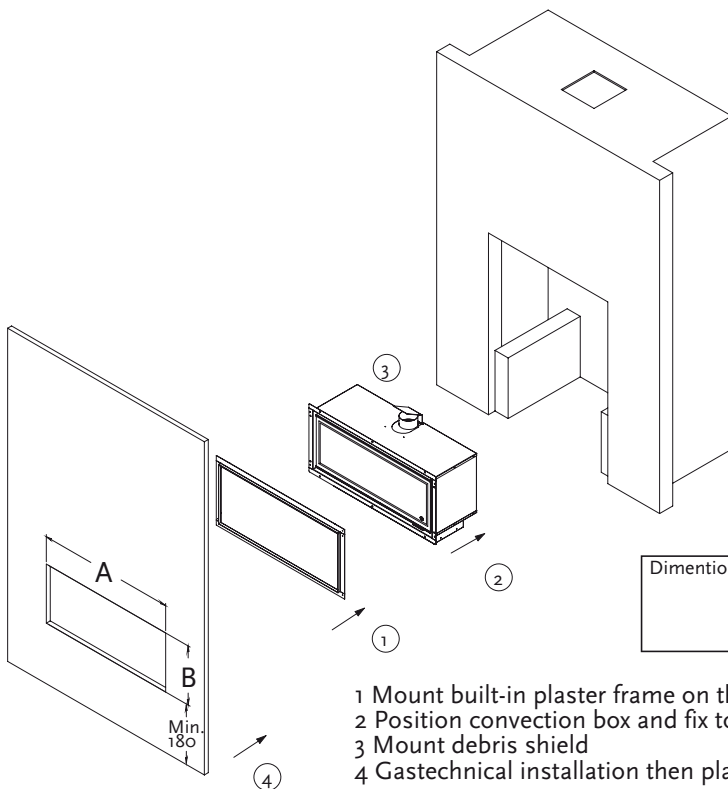
I Class 1 chimney, linerless with frame

		G90	G70
Dimensions gap (mm) (see for opening battybox installation instructions)	A	Min 922	734
		Max 932	744
	B	Min 401	662
		Max 411	672



- 1 Position convection box and fix to the wall
- 2 Mount debris shield
- 3 Gastechnical installation, then mount frame

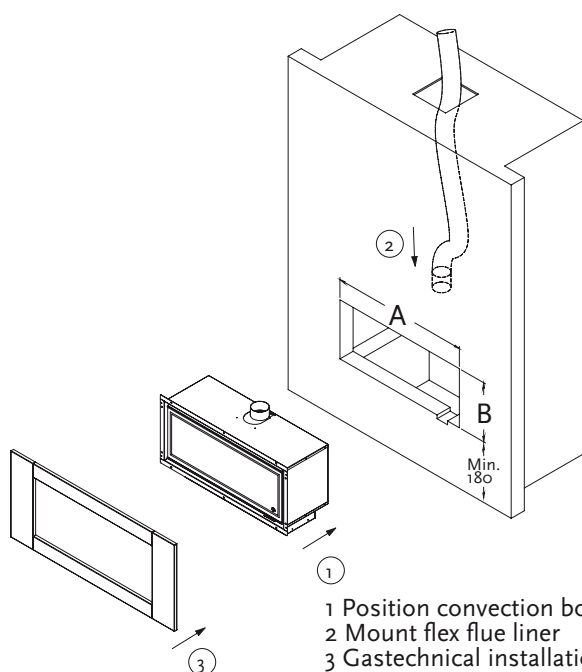
II Class 1 chimney, linerless and frameless



		G90	G70
Dimensions gap (mm)	A	Min 915	726
		Max 920	731
	B	Min 395	656
		Max 400	661

- 1 Mount built-in plaster frame on the convection box
- 2 Position convection box and fix to the wall
- 3 Mount debris shield
- 4 Gastechnical installation then place cover panel

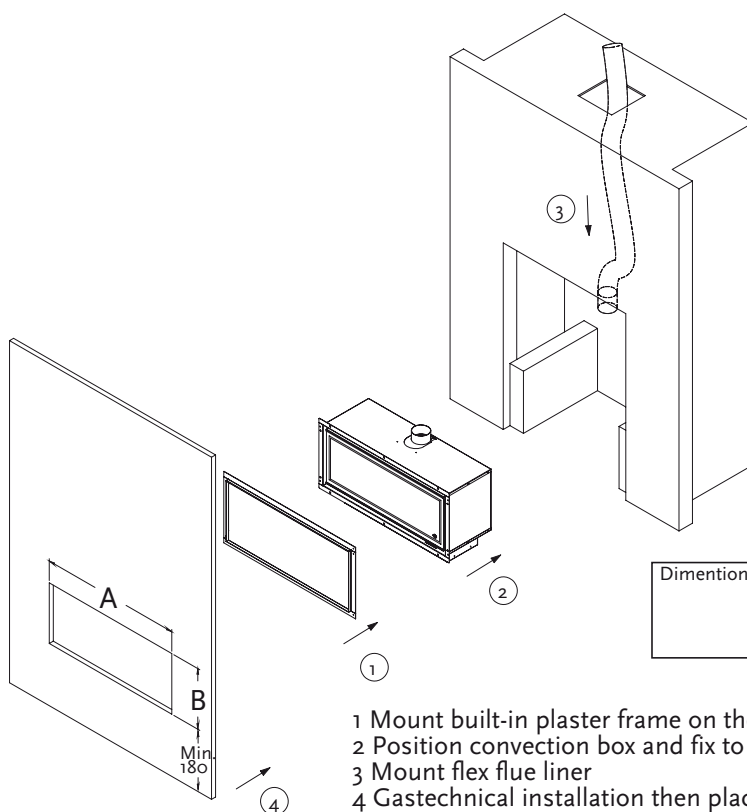
III Class 1 chimney, with flex flue liner and frame



		G90	G70
Dimensions gap (mm) (see for opening battybox installation instructions)	A	Min 922	734
		Max 932	744
	B	Min 401	662
		Max 411	672

- 1 Position convection box and fix to the wall
- 2 Mount flex flue liner
- 3 Gastechnical installation, then mount frame

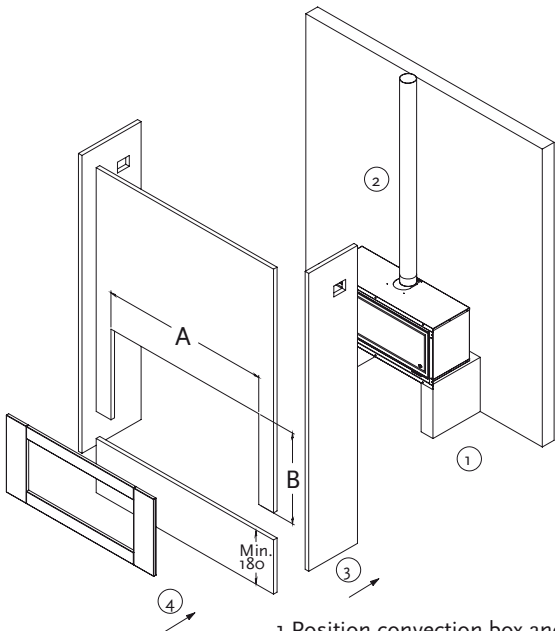
IV Class 1 chimney, with flex flue liner and frameless.



		G90	G70
Dimensions gap (mm)	A	Min 915	726
		Max 920	731
	B	Min 395	656
		Max 400	661

- 1 Mount built-in plaster frame on the convection box
- 2 Position convection box and fix to the wall
- 3 Mount flex flue liner
- 4 Gastechnical installation then place cover panel

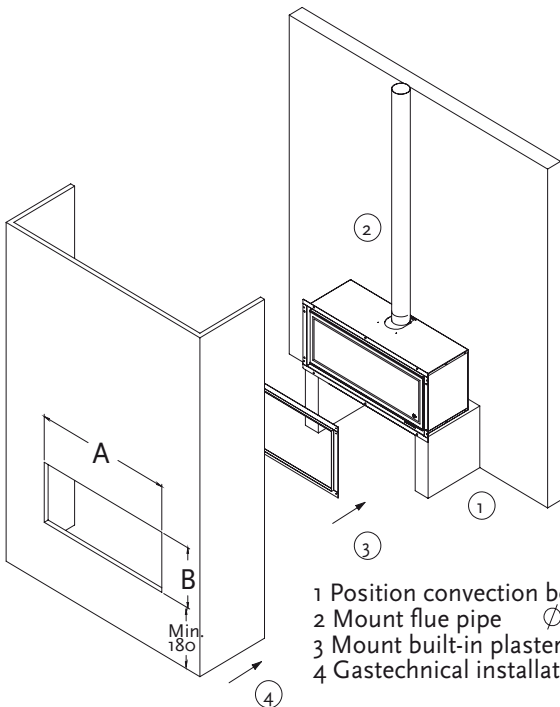
V False chimney breast, flue pipe \varnothing 100 and frame.



		G90	G70
Dimensions gap (mm) (see for opening battybox installation instructions)	A	Min 922	734
		Max 932	744
	B	Min 401	662
		Max 411	672

- 1 Position convection box and fix to the wall
- 2 Mount flue pipe \varnothing 100
- 3 Gastechnical installation, then make false chimney breast
- 4 Mount frame

VI False chimney breast, flue pipe \varnothing 100 and frameless.



		G90	G70
Dimensions gap (mm)	A	Min 915	726
		Max 920	731
	B	Min 395	656
		Max 400	661

- 1 Position convection box and fix to the wall
- 2 Mount flue pipe \varnothing 100
- 3 Mount built-in plaster frame on the convection box
- 4 Gastechnical installation, then make chimney breast

Gas technical installation



In case of frameless first mount the 4 profiles of the plaster trim



Profile with spoiler on top. The studs should be in the center of the hole!



Gas supply pipe under bottom of gas control box.



Mount the convection box to the wall (see installation manual for disassembling the appliance)



Fix to wall



Remove tie-wrap



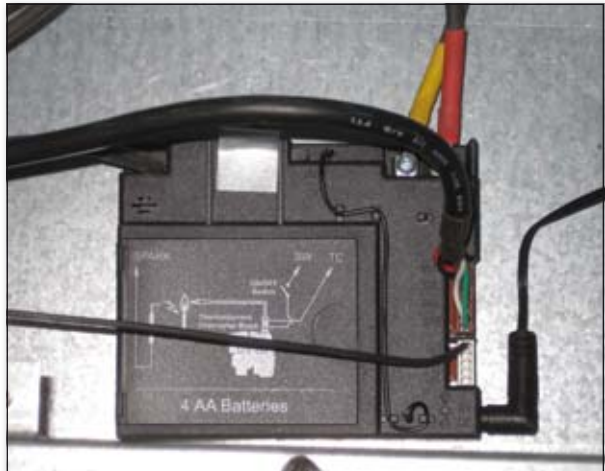
Mount gas control box to convection box



Mount gas control box to convection box



Connect the flexible gas pipe to the gas supply with an elbow



Connect the receiver to the gas control (Global 70XT CF)



Connect the receiver to gas control (Global 90 CF)



Place burner in convection box



Fix burner with screws
(which were removed before)



Fix burner with screws



Place debris shield
(linerless application only)



Use the flat topped screws
(Linerless application only)



Use the inner holes
(Linerless application only)



Pull through flex flue liner (flue liner only)



Mount flex flue line in flue spigot (flue liner only)



Place flue spigot in top of convection box
(in case of flue liner no debris shield)



Mount flue spigot with 2 screws



Slide combustion chamber into convection box



Fix with two screws (left and right)



Put vermiculite tray in place



Put vermiculite tray in place



Pay attention to slide in right position and place window (see instruction manual)



Bèta frame only: use the drilling jig to mark 4x drill spots (see included installation sheet)



Bèta frame only: drill 4 holes and mount brackets on the drilled holes (see included installation sheet)



Alpha frame only: mount the 4 brackets on the flange as shown (see included installation sheet)

Notities / Notes / Notizen

Lined area for notes, consisting of numerous horizontal dotted lines.

